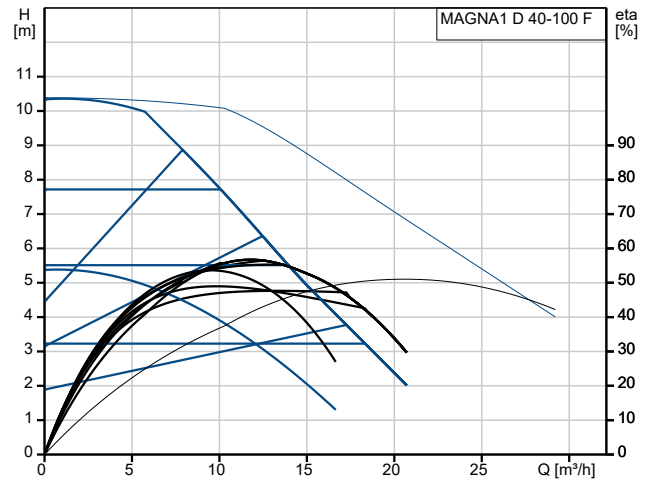
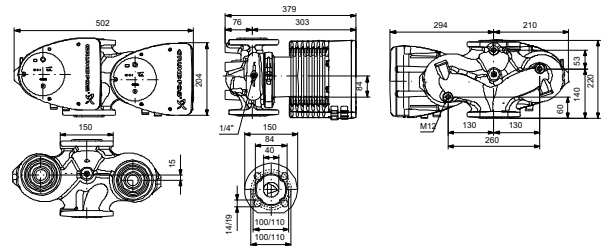
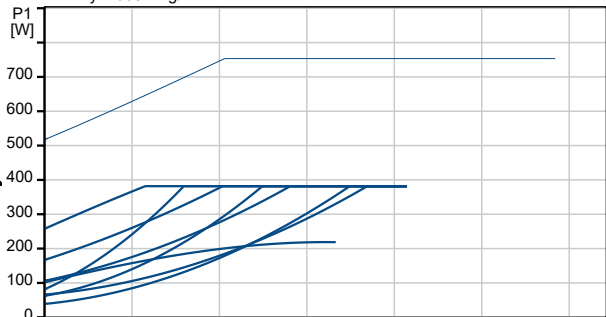


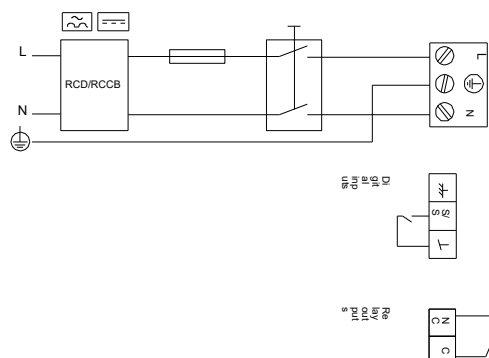
Description	Value
General information:	
Product name:	MAGNA1 D 40-100 F
Product No:	99221309
EAN number:	5712608942822
Price:	GBP 3805
Technical:	
Maximum head:	100 dm
TF class:	110
Approvals:	CE,VDE,EAC,MOROCCO,UKCA RCM,UkrSEPRO
Model:	C
Materials:	
Pump housing:	Cast iron EN 1561 EN-GJL-250 ASTM A48-250B
Impeller:	Composite
Installation:	
Range of ambient temperature:	0 .. 40 °C
Maximum operating pressure:	10 bar
Type of connection:	DIN
Size of connection:	DN 40
Pressure rating for connection:	PN 6/10
Port-to-port length:	220 mm
Liquid:	
Pumped liquid:	Water
Liquid temperature range:	-10 .. 110 °C
Selected liquid temperature:	20 °C
Density:	998.2 kg/m ³
Electrical data:	
Maximum power input - P1:	383 W
P1 min.:	18.05 W
Mains frequency:	50 / 60 Hz
Rated voltage:	1 x 230 V
Minimum current consumption:	0.2 A
Maximum current consumption:	1.7 A
Maximum speed:	4793 rpm
Enclosure class (IEC 34-5):	IPX4D
Insulation class (IEC 85):	F
Others:	
Energy (EEI):	0.23
Net weight:	32.4 kg
Gross weight:	36.3 kg
Shipping volume:	0.087 m ³
Country of origin:	DE
Custom tariff no.:	84137030
Environmental approvals:	CN ROHS,WEEE



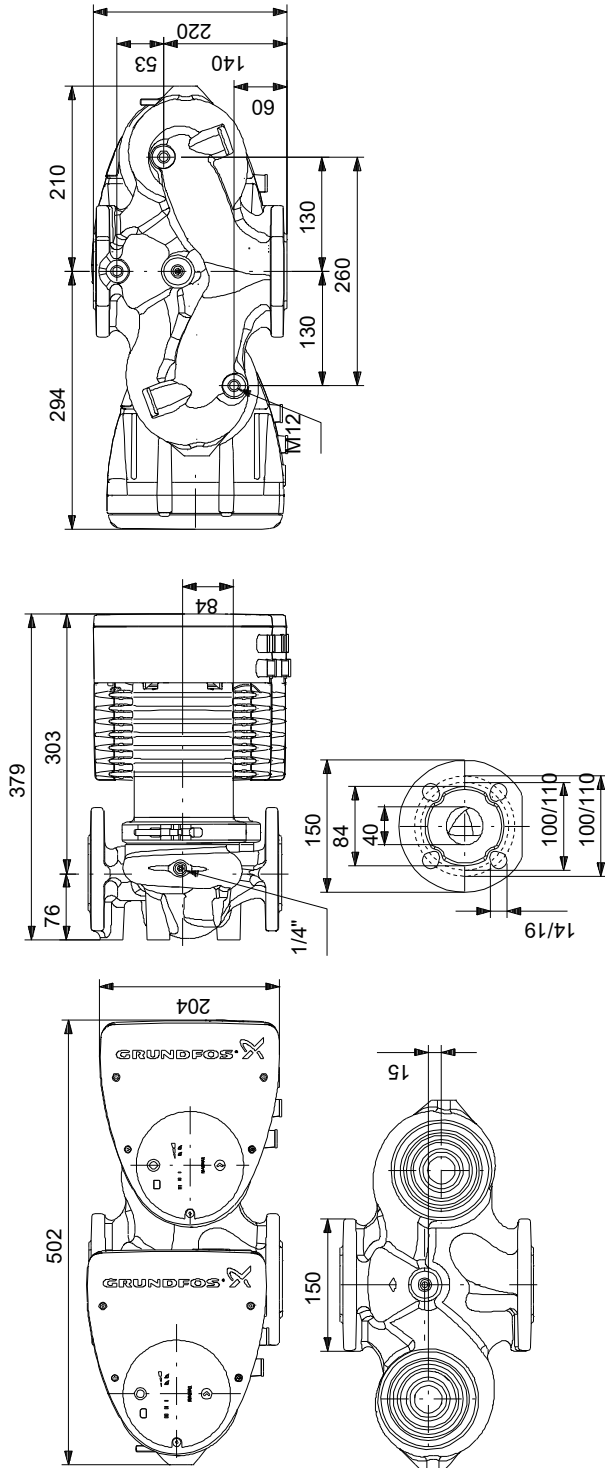
Pumped liquid = Water
Liquid temperature during operation = 20 °C
Density = 998.2 kg/m³



Example of mains-connected motor with mains switch, backup fuse and additional protection



99221309 MAGNA1 D 40-100 F



Note! All units are in [mm] unless others are stated.
 Disclaimer: This simplified dimensional drawing does not show all details.