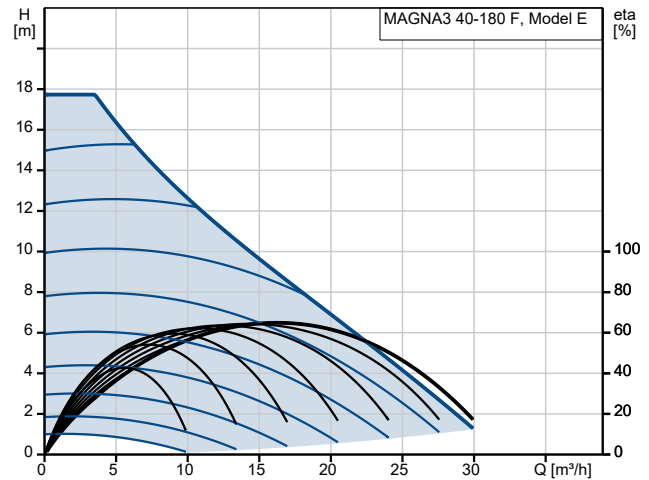
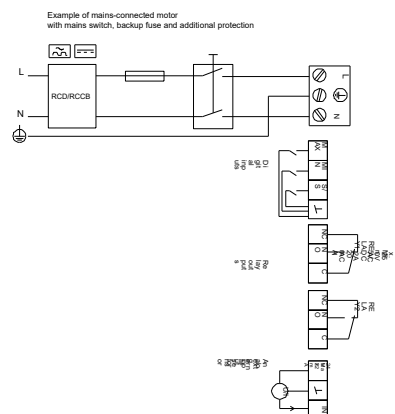
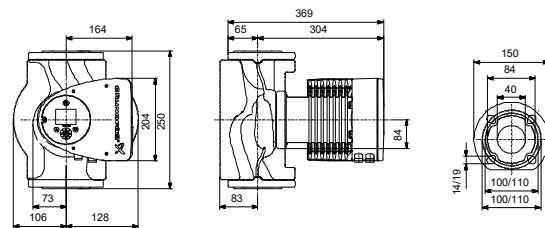
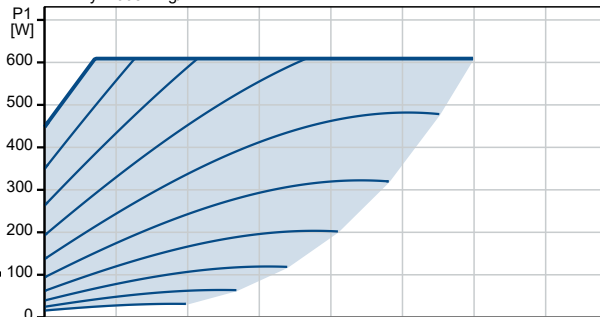


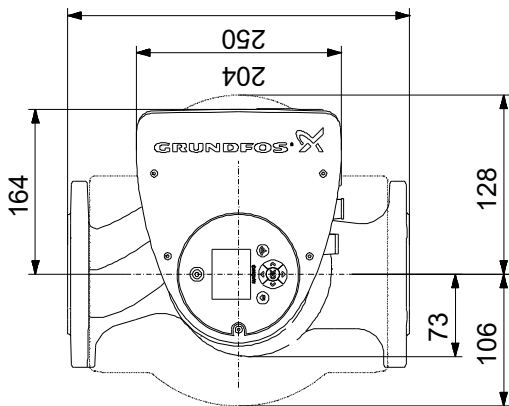
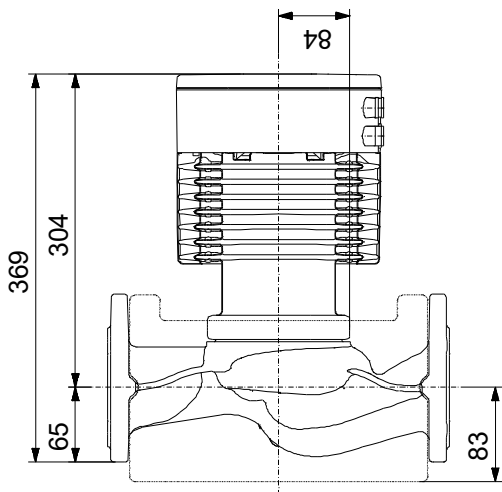
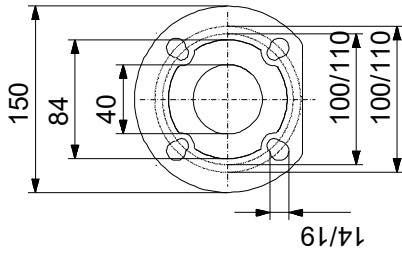
Description	Value
General information:	
Product name:	MAGNA3 40-180 F
Product No:	97924272
EAN number:	5710626493470
Price:	GBP 3479
Technical:	
Rated flow:	16.04 m ³ /h
Rated head:	9.2 m
Maximum head:	180 dm
TF class:	110
Approvals:	CE, VDE, EAC, MOROCCO, UKCA RCM, UkrSEPRO
Model:	E
Materials:	
Pump housing:	Cast iron EN 1561 EN-GJL-250 ASTM A48-250B
Impeller:	Composite
Installation:	
Range of ambient temperature:	0 .. 40 °C
Maximum operating pressure:	10 bar
Type of connection:	DIN
Size of connection:	DN 40
Pressure rating for connection:	PN 6/10
Port-to-port length:	250 mm
Liquid:	
Pumped liquid:	Water
Liquid temperature range:	-10 .. 110 °C
Selected liquid temperature:	20 °C
Density:	998.2 kg/m ³
Electrical data:	
Maximum power input - P1:	609 W
P1 min.:	16 W
Mains frequency:	50 / 60 Hz
Rated voltage:	1 x 230 V
Minimum current consumption:	0.18 A
Maximum current consumption:	2.78 A
Maximum speed:	4920 rpm
Enclosure class (IEC 34-5):	IPX4D
Insulation class (IEC 85):	F
Others:	
Energy (EEL):	0.17
Net weight:	16 kg
Gross weight:	17.5 kg
Shipping volume:	0.039 m ³
Danish VVS No.:	380952418
Swedish RSK No.:	5732491
Finnish LVI No.:	4615150
Norwegian NRF no.:	9042664
Country of origin:	DE
Custom tariff no.:	84137030
Environmental approvals:	CN ROHS, WEEE



Pumped liquid = Water
Liquid temperature during operation = 20 °C
Density = 998.2 kg/m³



97924272 MAGNA3 40-180 F



Note! All units are in [mm] unless others are stated.
Disclaimer: This simplified dimensional drawing does not show all details.