



# SJIII 3215/19

## ELECTRIC SCISSOR LIFTS

### STANDARD FEATURES

- Drivable at full height
- Variable speed, front two wheel hydraulic drive
- 90° steering (zero inside turning radius)
- Dual holding brakes
- Proportional controls for drive & lift functions
- 0.91 m roll out extension deck
- 24V DC power source
- Low voltage battery protection
- Relay based control system
- Colour coded and numbered wiring system
- Up to 30% gradeability
- Solid rubber, non-marking tyres
- Pothole protection system
- Wiring for AC outlet on platform
- Tilt alarm with drive & lift cut-out
- Overload sensing system
- Lowering warning system
- Operator horn
- Half height spring hinged gate
- Lanyard attachment points
- Forklift pockets and tie down/lift lugs

### ACCESSORIES AND OPTIONS

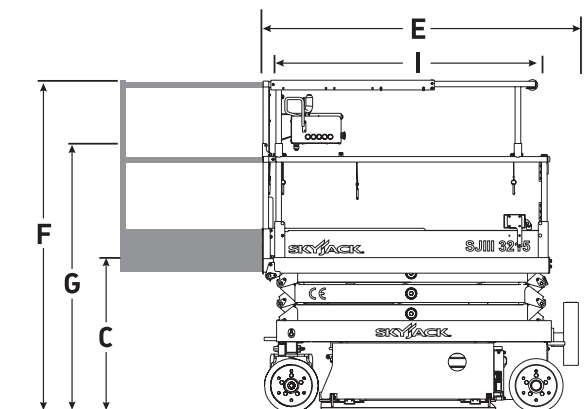
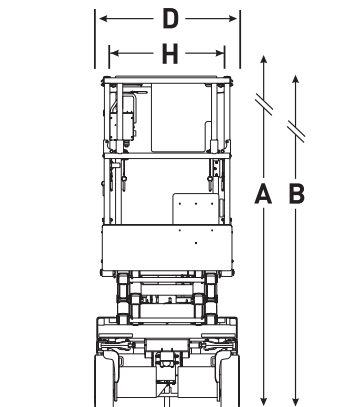
- Flashing light
- Hinged railing system
- Full height spring hinged gate\*
- All motion audible alarm
- 250Ah batteries
- Dual flashing lights
- AGM batteries
- Control box guard
- Pipe racks
- Drywall/board carrier

\* Not available with hinged railing system.

† Capacities, and machine weights may differ when options are added.

# SJIII 3215/19 ELECTRIC SCISSOR LIFTS

Dimensions	SJIII 3215	SJIII 3219
<b>A</b> Work Height	6.57 m	7.79 m
<b>B</b> Raised Platform Height	4.57 m	5.79 m
<b>C</b> Lowered Platform Height	0.88 m	0.99 m
<b>D</b> Overall Width	0.81 m	0.81 m
<b>E</b> Overall Length	1.78 m	1.78 m
<b>F</b> Stowed Height (Rails Up)	1.88 m	1.99 m
<b>G</b> Stowed Height (Rails Down)	1.53 m	1.64 m
<b>H</b> Platform Width (Inside Dimension)	0.66 m	0.66 m
<b>I</b> Platform Length (Inside Dimension)	1.63 m	1.63 m
Specifications	SJIII 3215	SJIII 3219
Extension Deck (Roll Out)	0.91 m	0.91 m
Ground Clearance (Stowed)	6.03 cm	6.03 cm
Ground Clearance (Raised)	1.78 cm	1.78 cm
Wheelbase	1.40 m	1.40 m
Weight	1,120 kg	1,312 kg
Gradeability	30%	30%
Turning Radius (Inside)	0	0
Turning Radius (Outside)	1.68 m	1.68 m
Lift Time (With Rated Load)	23 sec	25 sec
Lower time (With Rated Load)	24 sec	29 sec
Drive Speed (Stowed)	3.1 km/h	3.1 km/h
Drive Speed (Raised)	1.1 km/h	1.1 km/h
Maximum Drive Height	Full Height	Full Height
Capacity (Overall)	227 kg	227 kg
Distributed Capacity (Main Platform)	159 kg	136 kg
Distributed Capacity (Extension Deck)	113 kg	113 kg
Local Floor Load (With Rated Load)	759 kPa	759 kPa
Overall Floor Load (With Rated Load)	10 kPa	10 kPa
Maximum # of Persons	2	2
Wind Rating	9.4 m/s	9.4 m/s
Tyre Type	Solid, N/M	Solid, N/M
Tyre Size	12 x 4 x 8	12 x 4 x 8



**Skyjack UK**  
 Unit 1, Maes-y-Clawdd  
 Maesbury Road Industrial Estate  
 Oswestry, Shropshire, SY10 8NN  
 Tel: +44 1691 676235  
 Fax: +44 1691 676239  
 Email: info@skyjackeurope.co.uk

**Skyjack China, Shanghai**  
 Green Land CBD  
 Room 1005, Building B, No.858,  
 East Long Hua Road,  
 Luwan District  
 Shanghai, China 200023  
 Tel: (8621) 63021133 Ext. 8888  
 Fax: (8621) 63021130

**Skyjack SAS (France)**  
 ZI Le Clairin  
 69700 Saint Romain en Gier  
 France  
 Tel: +33 (0) 4 78 73 53 32  
 Tel: +33 (0) 4 78 73 05 68  
 Fax: +33 (0) 4 78 56 52 42

**Skyjack Hebebühnen GmbH (Germany)**  
 Därmannsbusch 2a  
 D-58456 Witten  
 Tel: +49 (0) 2302 20 26 909  
 Fax: +49 (0) 2302 20 25 671

**Skyjack AB (Sweden)**  
 Agnesbergsvägen 28  
 424 38 Agnesberg  
 Sweden  
 Tel: +46 (0) 31 21 22 45  
 Fax: +46 (0) 31 787 65 10